



# INSTALLATION DRAWING

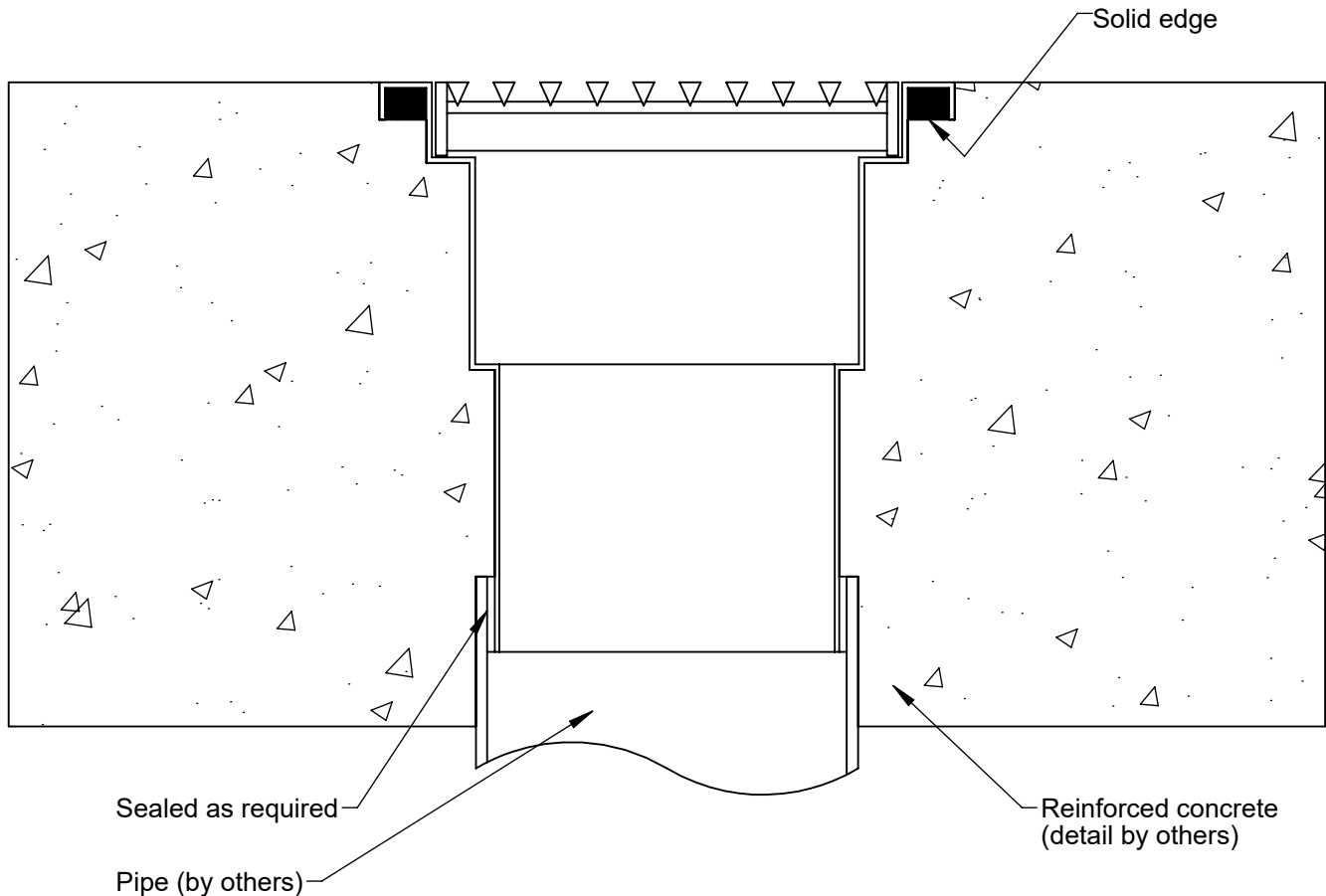
**ACO Polycrete Pty Ltd**  
1300 765 226  
sales@acoaus.com.au

DRG #: IT003

## SYSTEM CHANNEL, GROUND SLAB, SOLID EDGE PROFILE, CONCRETE FINISH FLOORING

**ACO Limited**  
0800 448 080  
sales@aconz.co.nz

www.acostainless.com.au  
www.acostainless.co.nz



### NOTES:

1.. These details only provide a practical reference. ACO recommends designers and installers check local legislative standards and practices, or seek specialised engineering advice.

## Specification Clause

The floor drain channels are to be ACO Stainless **System 100/200/300\*** grade **304/316** stainless steel as supplied by ACO Polycrete Pty Ltd. All components used within the scope of the systems are shown on Drawing Number/s: \_\_\_\_\*. All work should be carried out strictly in accordance with the manufacturer's instructions and the installation details set out on Drawing Number/s: \_\_\_\_\*.

All components are to be supplied with **constant depth/sloped** channels with solid edge. The channels overall depth and length, position and nominal size of outlet specified on Drawing Number/s: \_\_\_\_\*.

Grates are to be part number \_\_\_\_\*, **with/without** locking devices.

*\*Please delete or complete where appropriate*