

Technical Bulletin



VINYL SEAL INSTALLATION INSTRUCTIONS

- GENERAL

Vinyl sheet is a common flooring finish in many applications where stainless steel drainage channels and gullies are required. A common method of jointing the two is by a mechanical clamping system. Although functional, a mechanical clamping mechanism can be cumbersome to fit, increase the potential for bacterial growth and is costly.

In order to overcome the frequently encountered problems of minimising bacteria traps and achieving watertight seals, ACO has developed Vinyl Seal. This is a unique solution that enables quick, easy and economical installation. In suspended slab applications, Vinyl Seal should not substitute a waterproof membrane. Contact a waterproofing expert for more information.

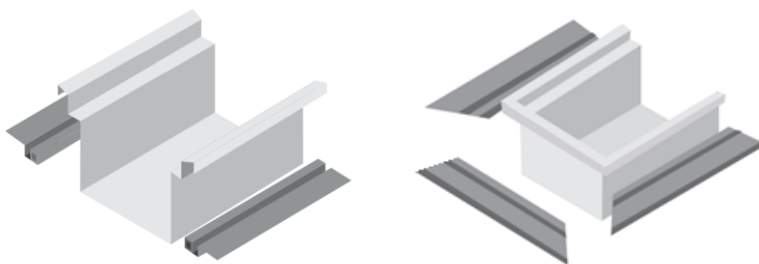
The Vinyl Seal is significantly more cost effective than the traditional mechanical type and is designed to fit ACO's stainless steel drainage channels. This method of sealing requires no additional tools or skills than those required for the professional fitting of vinyl sheet flooring, making the installation quick and easy.

Vinyl Seal can also be easily removed and re-sealed when the vinyl is replaced or refurbished without the need to disturb the channel or supporting detail in any way.

Note: Vinyl Seal is not suitable for installation in flexible decks, for example, timber floors.

- INSTALLATION INSTRUCTIONS

1. Cut the Vinyl Seal *rigid seal extrusion* to the required lengths and mitre as required to fit around all edges of the assembled channel. The *rigid seal extrusion* length must also account for mitred ends. Cut the extrusion to form mitres as required.



Bulletin No.: TB201602
Date: 13 March 2017
Issued By: DC

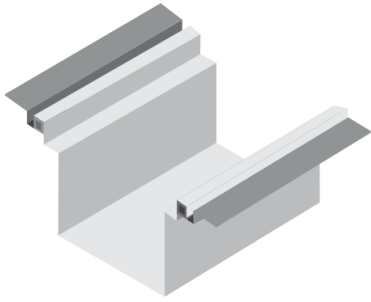
Page 1 of 3

U:\Technical Services\Product Launches\New Product Releases\Official Releases\Technical Bulletins\TB Drafts\TB201602\TB201602.doc

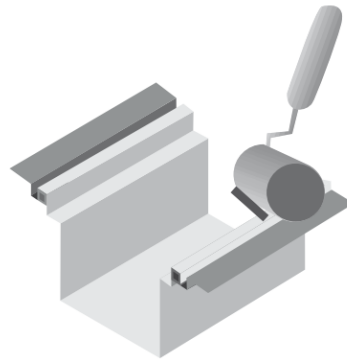
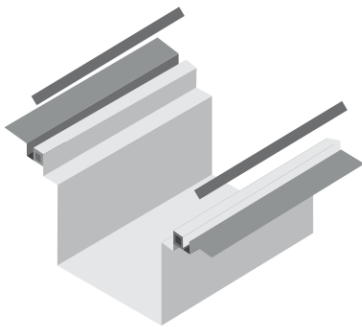
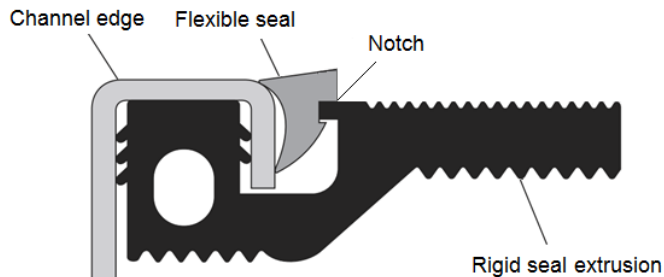


ACO Polycrete Pty Ltd
134-140 Old Bathurst Road
Emu Plains NSW 2750
Telephone (02) 4747 4000
Facsimile (02) 4747 4040
Email: technical@acoaus.com.au

2. Press the *rigid seal extrusion* into the recess at in the *channel edge*, ensuring it is pushed fully in.



3. Press the *flexible seal* into position between the *channel edge* and *rigid seal extrusion*, making sure that the concave section of the seal faces towards the *channel edge* and that the groove in the *flexible seal* engages with the notch on the *rigid seal extrusion* (it may help to lubricate the *flexible seal* using a soapy solution when inserting). For corners, mitre the *flexible seal* and apply black mastic sealant.
4. For an even finish, roll the *flexible seal* into position using a suitable spline roller. The flexible seal **must** be inserted **before** the concrete/screed is applied.



5. Ensure the assembled *rigid seal extrusion* and *flexible seal* sits square and horizontal in the channel detail.
6. Install the channel in accordance with ACO's installation details, ensuring that the screed is flush to the top edge of the *rigid seal extrusion*. Protect the channel and Vinyl Seal assembly from splashes of concrete/screed.



7. Grout any voids at *rigid seal extrusion* joints at mitred corners, straight joints or fixings, to ensure a continuously supported floor finish.
8. Prior to laying the vinyl sheet flooring, peel the protective film from the *rigid seal extrusion* and ensure all surfaces are clean and dry.



9. Apply vinyl sheet flooring adhesive to floor surface, in accordance with vinyl sheet flooring manufacturer's instructions. Continue the application of the adhesive to the top surface of the *rigid seal extrusion*, taking care not to apply adhesive to *flexible seal*.
10. Lay the vinyl sheet flooring against the *flexible seal*. Prepare the welded joint between the *flexible seal* and vinyl sheet flooring as per normal installation practice. **It is imperative that the flexible seal, vinyl sheet and welding rod are fully fused to create a bond at this interface.**

Note: both *rigid seal extrusion* and *flexible seal* are manufactured from PVC.