



# INSTALLATION DRAWING

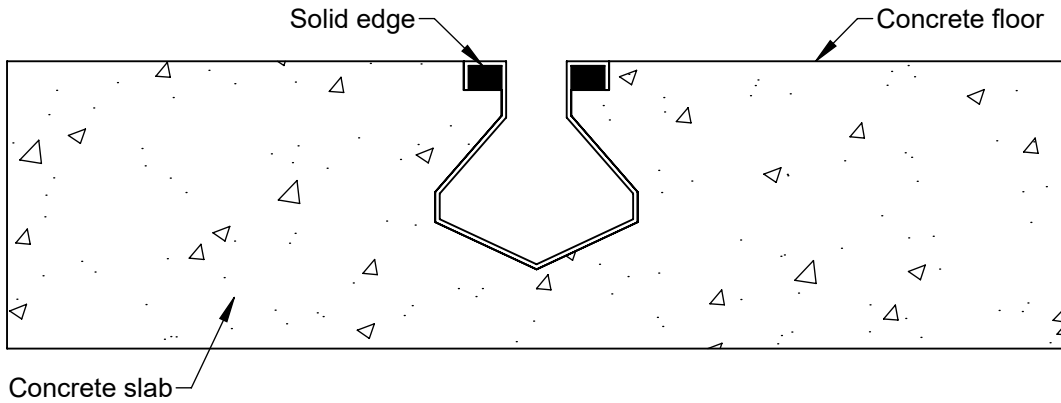
**ACO Polycrete Pty Ltd**  
1300 765 226  
sales@acoaus.com.au

DRG #: IN002  
www.acobuildline.com.au  
www.acobuildline.co.nz

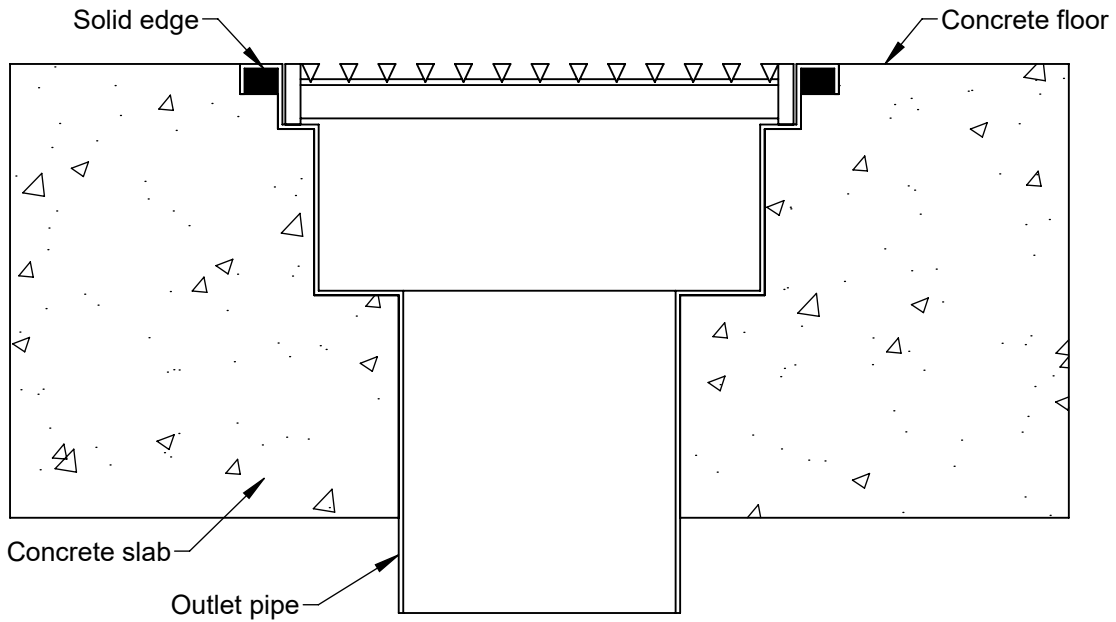
## SLOTCHANNEL, SUSPENDED SLAB, GROUND SLAB, CONCRETE FLOOR

**ACO Limited**  
0800 448 080  
sales@aconz.co.nz

### SlotChannel



### Outlet Unit



#### NOTES:

1.. These details only provide a practical reference. ACO recommends designers and installers check local legislative standards and practices, or seek specialised engineering advice.

### Specification Clause

The floor channels are to be ACO Stainless SlotChannel grade **304/316** stainless steel as supplied by ACO Polycrete Pty Ltd. All components used within the scope of the systems are shown on Drawing Number/s: \_\_\_\_\_\*.

All work should be carried out strictly in accordance with the manufacturer's instructions and the installation details set out on Drawing Number/s: \_\_\_\_\_\*.

All components are to be supplied with constant depth channels with solid edge.

The channels shall have a continuous slot of 20mm and overall depth and length, position, nominal size of outlet as specified on Drawing Number/s: \_\_\_\_\_\*.

Grates for outlet unit are to be part number \_\_\_\_\_\*.

*\*Please delete or complete where appropriate*