



# INSTALLATION DRAWING

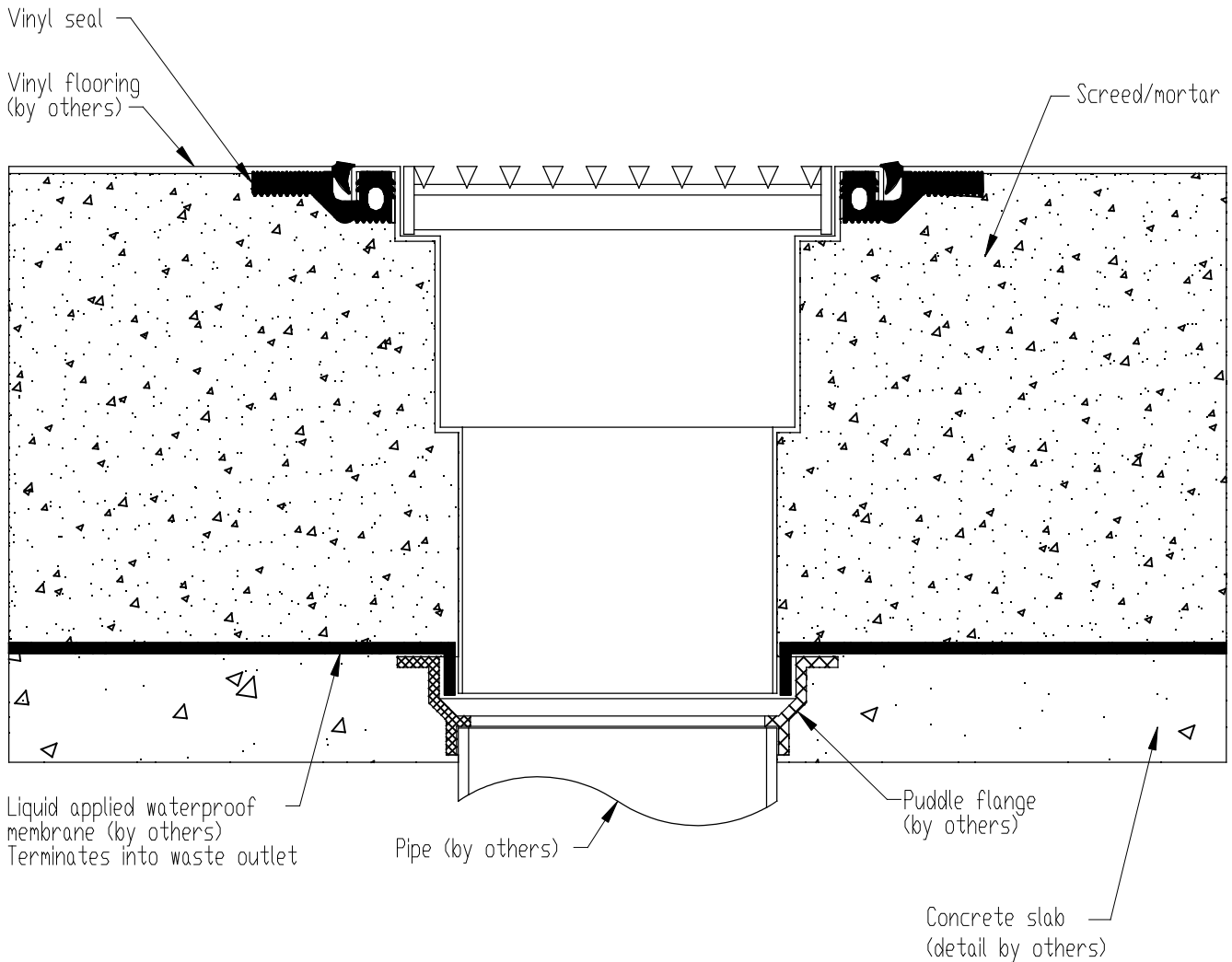
ACD Polycrete Pty Ltd  
1300 765 226  
sales@acoaus.com.au

DRG #: IT005

SYSTEM CHANNEL, SUSPENDED SLAB, VINYL SEAL  
PROFILE, VINYL FINISH FLOORING

ACD Limited  
0800 448 080  
sales@aconz.com.au

www.acostainless.com.au  
www.acostainless.co.nz



## NOTES:

1. These details only provide a practical reference. ACD recommends designers and installers check local legislative standards and practices, or seek specialised engineering advice.

## Specification Clause

The floor drain channels are to be ACD Stainless System 100/200/300 \* grade 304/316 stainless steel as supplied by ACD Polycrete Pty Ltd. All components used within the scope of the systems are shown on Drawing Number/s: \_\_\_\_\_\*. All work should be carried out strictly in accordance with the manufacturer's instructions and the installation details set out on Drawing Number/s: \_\_\_\_\_\*.

All components are to be supplied with constant depth/sloped channels with vinyl seal edge to suit vinyl flooring. The channels overall depth and length, position and nominal size of outlet specified on Drawing Number/s: \_\_\_\_\_\*.

Grates are to be part number \_\_\_\_\_\*, with/without locking devices.

\*Please delete or complete where appropriate